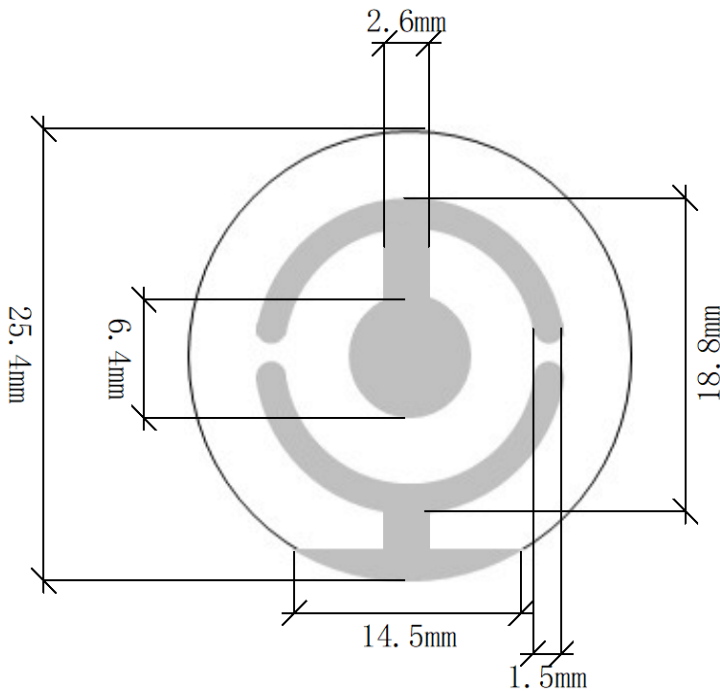


<b>standard frequency</b>	1.000MHz
<b>center frequency</b>	1.000MHz
<b>adjust frequency</b>	±2KHz@25°C
<b>cut mode</b>	AT
<b>resonator resistance</b>	<20Ω
<b>shunt capacitance</b>	<7pF
<b>working temperature</b>	0°C ~+70°C
<b>store temperature</b>	-40°C ~+105°C
<b>diameter</b>	25.4mm±0.03mm
<b>crystal shapes</b>	plano plano
<b>curvature</b>	~
<b>surface finish</b>	2um
<b>side A electrodes materials</b>	Cr/ Au
<b>side A electrodes sizes</b>	please refer to drawing below
<b>side B electrodes size</b>	please refer to drawing below
<b>side B electrodes materials</b>	Cr/ Au
<b>electrodes connective</b>	connective

**outside shapes and electrodes size drawings:**

**side A**



**side B**

